

Installation manual plugs and connectors QUICK-CONNECT (63 A)

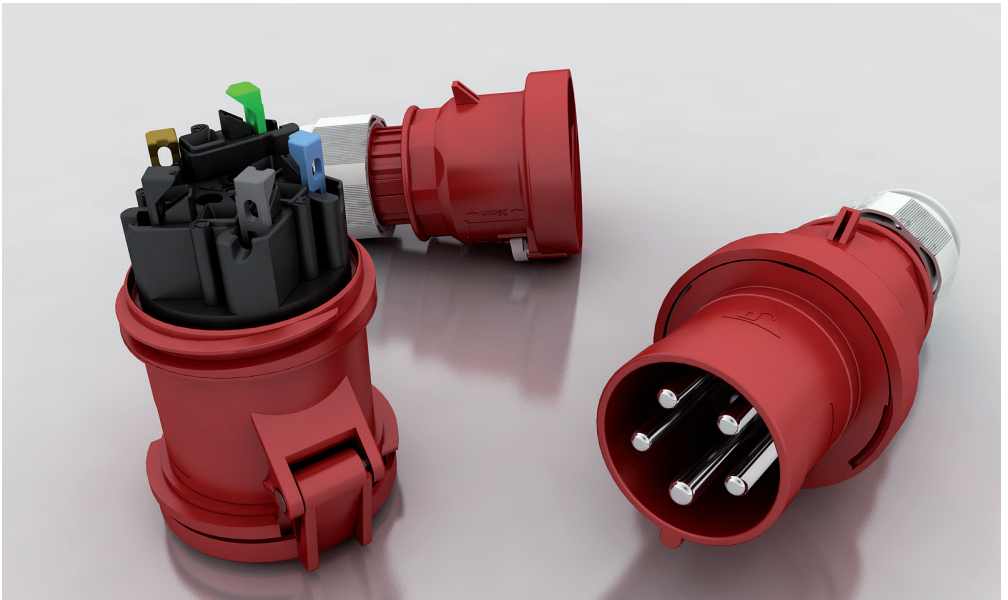


Table of contents

1	About this manual	3
1.1	Structure of the warnings	3
1.2	Symbols used	4
1.3	Signal words used	4
2	Intended use	5
3	General safety instructions	6
4	Packaging, transport and storage	7
4.1	Packaging	7
4.2	Transport	7
4.3	Storage	7
5	Design	8
6	Assembly and disassembly	9
6.1	Connecting a cable to a 63-A plug or socket	9
6.2	Disconnecting a cable from a 63-A plug or socket	11
7	Cleaning and care	13
8	Decommissioning and disposal	14

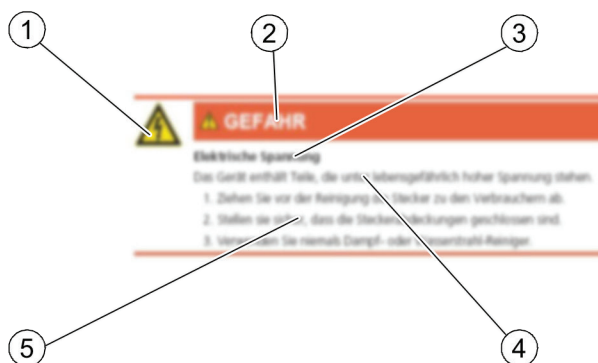
1 About this manual

This manual

- describes the assembly and disassembly of plugs and sockets of the QUICK-CONNECT system of Bals Elektrotechnik GmbH & Co. KG
- is an integral part of the product and must be kept in safe custody during the product service life
- must be read carefully and understood before use and any work.




1.1 Structure of the warnings

The following picture illustrates the structure of a sample warning.



1	Hazard-specific symbol
2	Signal word
3	Type and source of the hazard
4	Possible consequences of failing to comply
5	Procedure for avoiding hazards

1.2 Symbols used

	General warning of a hazardous area
	Warning – dangerously high voltage
	Notice

1.3 Signal words used

All warnings in this manual are clearly highlighted. The following signal words are used for warnings:

DANGER	Warns of dangers which will lead to serious injuries or to death if the instructions are not followed.
WARNING	Warns of dangers that may lead to serious injuries or to death and/or cause considerable damage to property if the instructions are not followed.
CAUTION	Warns of dangers that may lead to reversible injuries and/or considerable damage to property if the instructions are not followed.
NOTICE	Warns of dangers that may lead to operational disruptions and/or considerable damage to property. Damage to the environment, too, may occur if the instructions are not followed.

2 Intended use

The QUICK-CONNECT system is used as a screwless quick-connect system based on the cage clamp principle in electrical plugs and sockets.

Plugs and sockets with QUICK-CONNECT are built for professional use. The installation and the fixed connection to the mains supply should be carried out only by trained and qualified experts.

Any use going beyond the intended use is considered to be improper. The manufacturer is not liable for damages resulting from improper use. Any such risk shall be borne solely by the user.

In case of unauthorised modifications or conversions, the CE conformity becomes null and void, and thus, also all claims for warranty. Modifications may lead to risks for life and limb as well as damage to the plugs and sockets or loads connected.

Factory-fitted labels and markings on the plugs and sockets should not be removed, modified or blurred.

Protect against foreign bodies and impact of weather

The plugs and sockets meet either the protection degree IP44, IP54 or IP67 in accordance with **DIN EN 60529** (VDE 0470-1), depending on the respective design. Each of these mean:

- Protection degree IP44:
 - Protected against solid bodies with a diameter beyond 1.0 mm, e.g. a wire
 - Protection against water sprayed from all sides
- Protection degree IP54:
 - Protected against dust in damaging quantity
 - Complete protection against contact
 - Protection against water sprayed from all sides
- Protection degree IP67:
 - Dust-proof
 - Complete protection against contact
 - Protection against temporary immersion

Environment

The following operating temperatures apply for the safe operation of the product:

Standard version	Military version
-25 °C ... +40 °C	-33 °C ... +49 °C

3 General safety instructions



- Safe use is ensured only if this manual is followed completely.
- Before installation, commissioning or operation, read this manual thoroughly.
- The plugs and sockets must be installed, maintained and put into operation properly by qualified experts in accordance with the laws, ordinances and standards.
- Keep easily combustible and explosive materials away from the plugs and sockets.
- Handle the cables with care
 - by always pulling at the plug and not the cable when unplugging,
 - by preventing the cable from getting damaged mechanically,
 - by keeping intense heat away.
- Never use faulty products or products with dirty, scratched or damage contacts.
- Keep the contacts on the product clean.
- Avoid tripping hazards.

4 Packaging, transport and storage

4.1 Packaging



Packaging materials are valuable raw materials and can be reused. The packaging materials should therefore be brought to an appropriate recycling facility. If this is not possible, dispose of the packaging materials according to the locally applicable regulations.

4.2 Transport

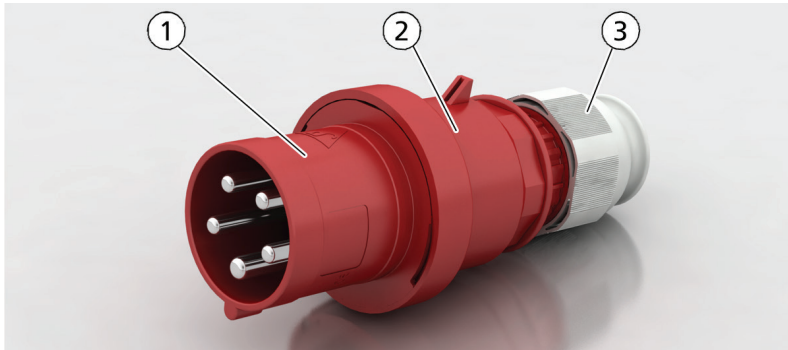
Check the delivery for completeness and integrity. If you identify transit damage or if the delivery is incomplete, notify your dealer or supplier immediately.

4.3 Storage

The product must be stored in clean condition and protected from dust and humidity. The original packaging is best suited for this purpose.

5 Design

Based on an example, the following figure illustrates the main components of the QUICK-CONNECT plugs and sockets.



1	Front part with screwless quick-connect technique for all types of copper conductor
2	Housing
3	Cable gland with multi-grip as integrated strain relief

Conductor cross-sections

You can connect conductor cross-sections in the range of 6 mm² ... 16 mm² to QUICK-CONNECT plugs and sockets (63-A designs).

Cable diameter

Cables with a diameter in the range of 16 mm ... 36 mm can be used with QUICK-CONNECT plugs and sockets (63-A designs) with multi-grip.

Technical specifications

The technical specifications of the plugs and sockets depend on the design. You will find them in our catalogue or on our website <http://www.bals.com>.

6 Assembly and disassembly



DANGER

Danger to life by electrical voltage

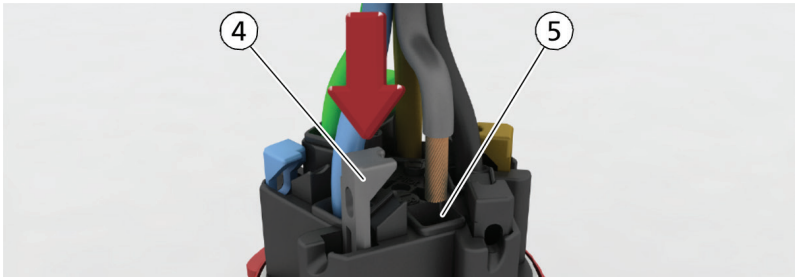
The supply cable may carry high electrical voltage that is fatal. Pay attention to the five safety rules of electricity:

1. De-energise
2. Secure the supply from being switched on again
3. Ensure the de-energised condition
4. Connect to earth and short circuit
5. Cover or cordon off adjacent live parts

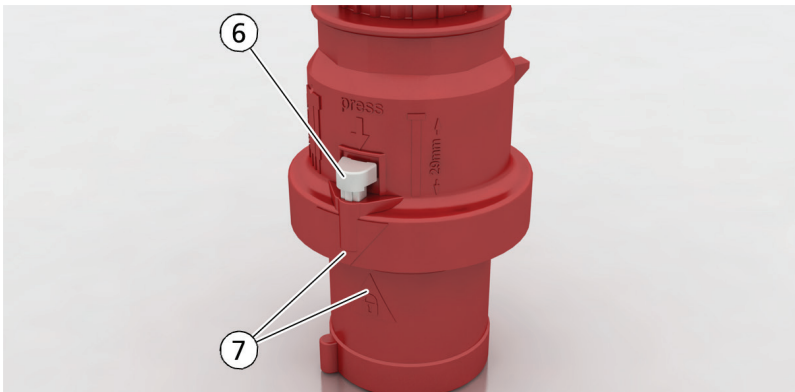
6.1 Connecting a cable to a 63-A plug or socket

Proceed as follows:

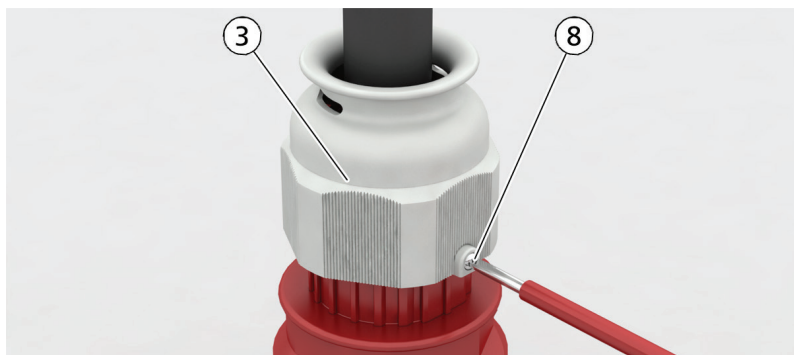
1. Make sure that the cable is de-energised.
2. Open the rotary lock to separate the front part (1) from the housing (2).
3. Push the cable about 50 cm wide through the cable gland and housing.
4. Strip the cable to a length of 110 mm.
5. Remove the insulation from the individual conductors up to a length of 29 mm. Twist the multi-strand copper conductors slightly by hand. Conductor end sleeves are not necessary but may be used.
6. The terminals are open at the time of delivery. Guide the bare individual conductors into the opening near the contact slide (5) and press the contact slide (4) down in the direction of the arrow. The contact slide get latched and fixes the individual conductor. Take care to see that only the bare individual conductor (without insulation) is clamped. Pay attention to the marking of the terminals and ensure that the assignment of the individual conductors to the terminals is correct.



7. Check whether the individual conductors are seated tightly by pulling them lightly. If this is not the case, open the terminal and repeat the previous step.
8. Connect the housing and front part with screws until the triangular markings (7) lie over one another.
9. Fix the connection using the white latches (6) fixed on the side. The latch must be pressed in front until it gets latched audibly.



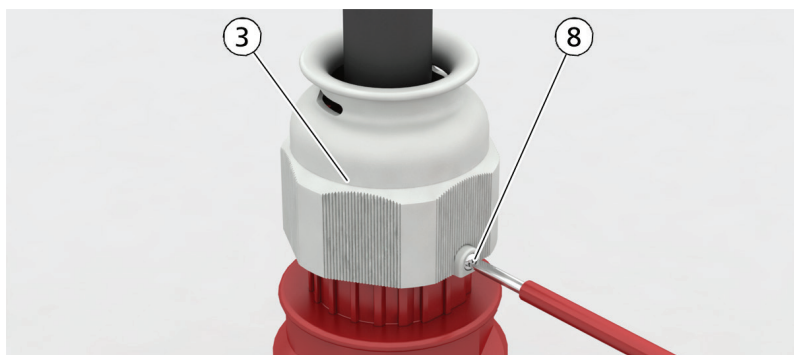
10. Next, tighten the cable gland (3). The tightening torque must lie between 7.5 Nm and 20 Nm in doing so. Please refer to the embossing on the cable gland for the exact value of the respective design. Secure the cable gland using the screw placed on the side for this purpose (8, depending on the design).



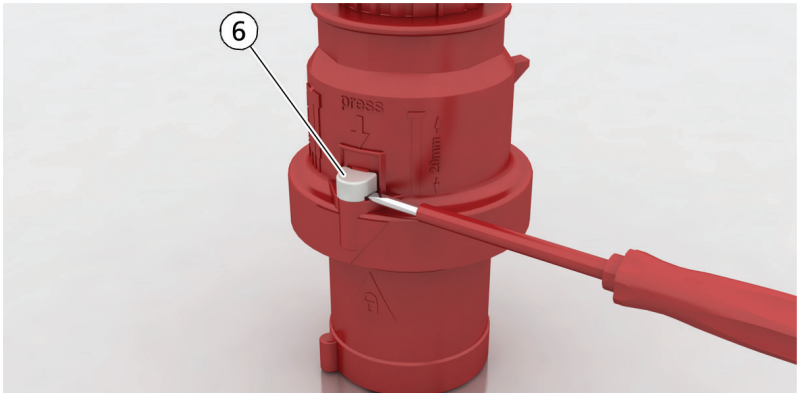
11. Check that the cable is seated tightly in the plug or socket.

6.2 Disconnecting a cable from a 63-A plug or socket

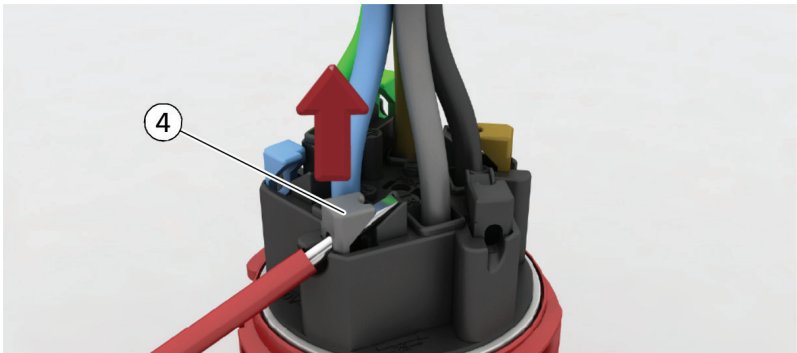
1. Make sure that the cable is de-energised.
2. If the cable gland (3) is secured with the help of a screw (8), loosen this screw.



3. Loosen the cable gland.
4. Disconnect the joint between the housing (2) and the front part (1). To do this, pry open the white latch (6) fixed on the side with a screwdriver.



5. Unscrew the housing from the front part.
6. Push the housing and the cable gland back on the cable until the connections in the front part are easily accessible.
7. Open the contact slide (4) by forcing it with a screwdriver and pull the individual conductors from the terminals.



8. Pull the cable out of the housing and out of the cable gland.

7 Cleaning and care

It is recommended to clean the device as required. Use a dry cloth to clean the device. Use a wet cloth if the device is very dirty.



DANGER

Electrical voltage

The device contains parts that carry hazardous voltage that may be fatal.

1. Pull out the plugs to the loads before cleaning them.
2. Make sure that the plug covers are closed.
3. Never use steam or water jet cleaners.



NOTICE

Damage to the plastic parts.

Corrosive cleaning agents may attack or destroy the plastic parts.

Use only a cloth moistened with water for cleaning.

8 Decommissioning and disposal



Send the worn-out product for recycling or for proper disposal. Always make sure to observe and follow the local regulations.

The product should not be disposed of in household waste. Environmental damage and risk to personal health are avoided with proper disposal.

霸士电器（昆山）有限公司
Bals Elektrotechnik (Kunshan) Co Ltd

地 址:江苏省昆山市郁金香路雄鹰路301号

Add: 301 Xiongying Road, Kunshan, Jiangsu Province

Tel: +86 - 512 - 86167886 - 111

Fax: +86 - 512 - 86167880

Web:<http://www.bals.com.cn>